



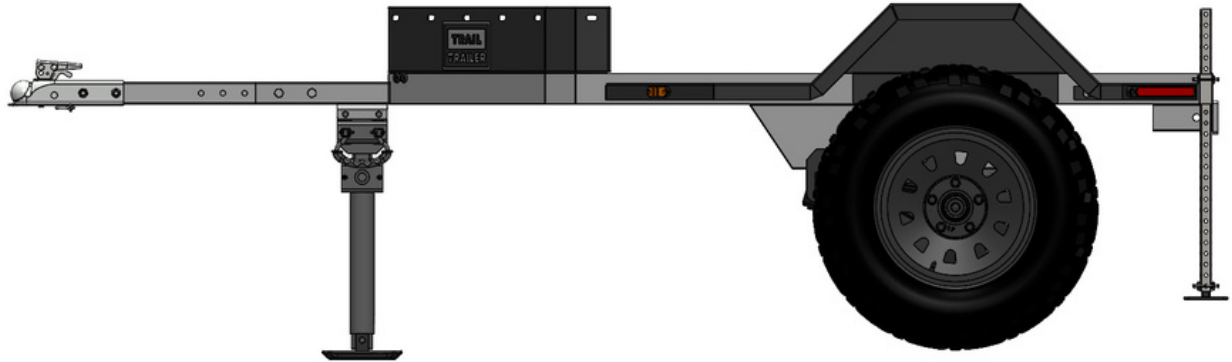
BUILT FOR THE
TRAIL



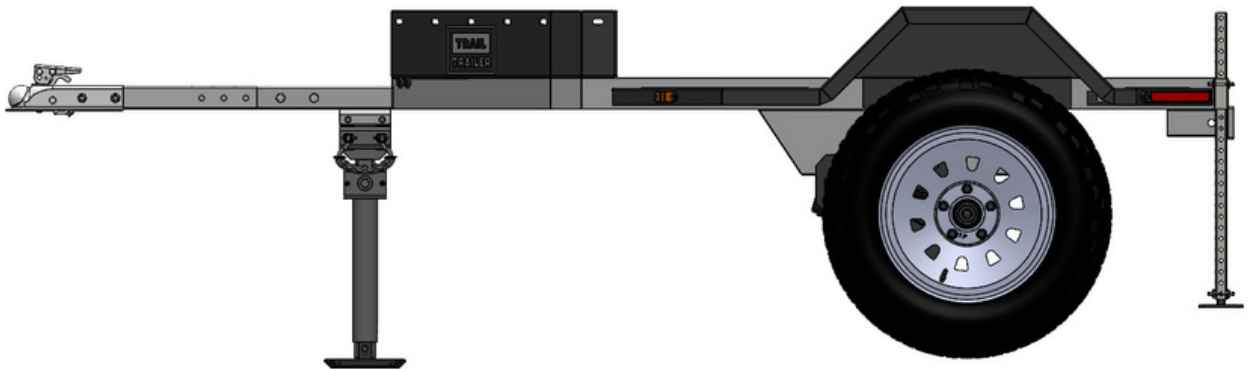
BORN IN THE WEST



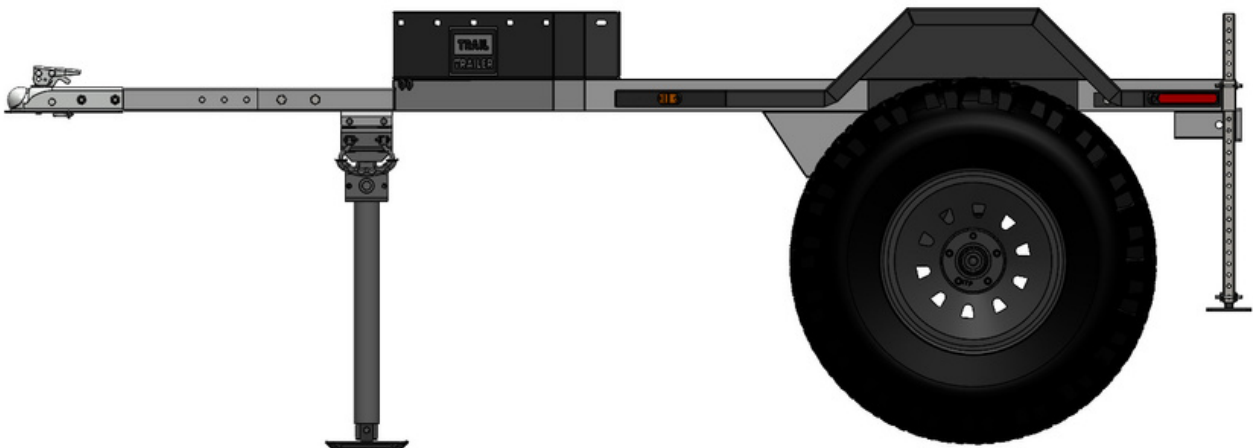
Choose your platform



Utility Terrain Vehicle



Passenger Vehicle Small



Passenger Vehicle (Full Size)

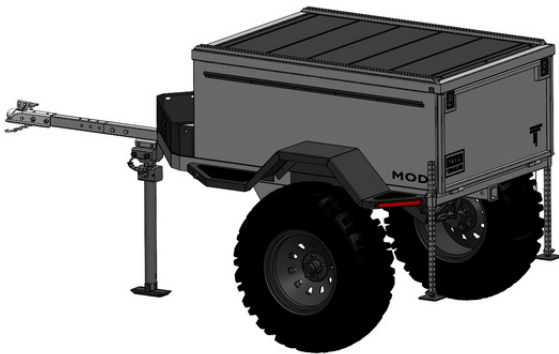
Mod your MOD



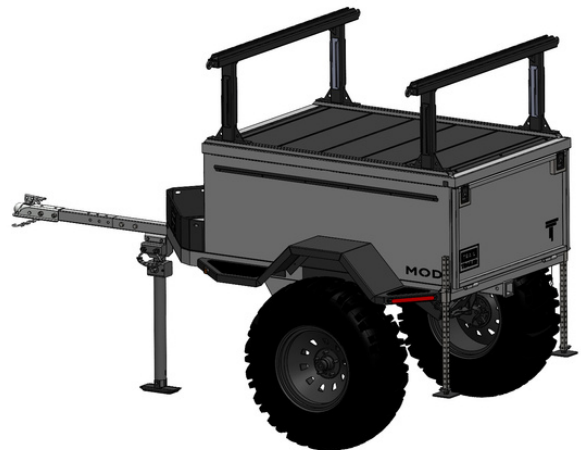
Flatbed



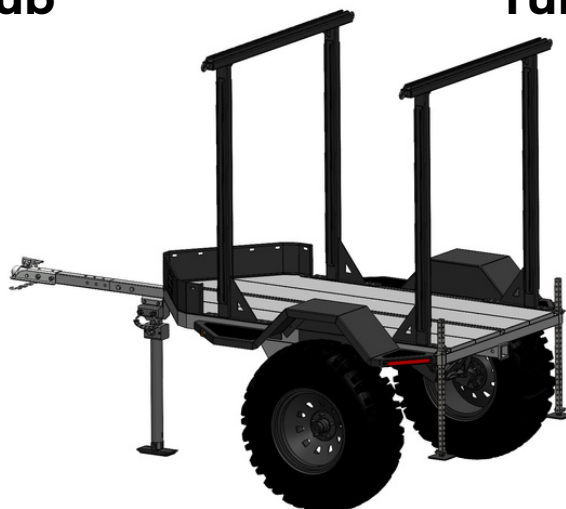
Short Tower



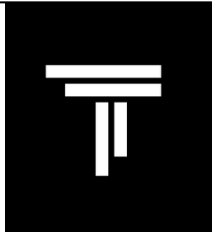
Tub



Tub + Short Tower



Tall Tower



MOD (MODULAR)



TT-MOD-UTV-FB

UTILITY TERRAIN VEHICLE

Wheel : Off Road 14" Rim
Tire : 26" Tusk ATV tire

UTV wheel and tire. Not highway rated.



TT-MOD-PVS-FB

PASSENGER VEHICLE (SMALL)

Wheel : Method 411 15" Rim
Tire : 28" BFG KO2 LT 215/75 R15
Tire

Highway rated wheel and tire. No electric brakes.



TT-MOD-PV-FB

PASSENGER VEHICLE (FULL SIZE)

Wheel : Black Rhino 17" Rim
Tire : 33" BFG KO2 LT285/70 R17

Highway rated wheel and tire with electric brakes.



UNPARALLELED VERSATILITY





MOD OPTIONS



SHORT TOWER

Add 16" of cargo space above deck. Perfect for mounting rooftop tents low and centered. Strap down additional gear, or use a hard mount on the universal rails.



TALL TOWER

Nicknamed the "skyscraper", this tower gets your tent way off the ground. Mount all sorts of full size gear below a rooftop tents and provide plenty of room for kayaks, or cargo boxes below the tent.



TUB

Lockable, out of sight storage for keeping your camp kit accessible and organized. Comes with a diamond plate hard lid and locking tailgate for rugged environments in and out of civilization.

FOR THE DUSTY DREAMERS





STANDARD FEATURES



TIMBREN AXLE-LESS INDEPENDENT SUSPENSION

Enhanced ride quality, reduced tire wear, and better handling. This trailer remains stable with minimally transferred vibrations. Protects your cargo from excessive jostling, and leads to a safer and smoother towing experience.

ROCK LIGHTS

Illuminate the ground beneath the trailer, and enhance visibility in low-light conditions. Safely navigate over obstacles like rocks, roots, and ruts, preventing potential undercarriage damage. Strategic placement helps drivers gauge the vehicle's dimensions and position.



TURN SIGNAL AND MARKER LIGHTS

Enhanced safety, energy efficiency, and longevity. Their bright illumination ensures superior visibility, allowing other motorists to quickly recognize the trailer's size, position, and intended direction of movement. Additionally, their long lifespan means fewer replacements, reducing maintenance time and costs.

FIND YOUR
UNWIND

THULE



STANDARD FEATURES



UNIVERSAL RAIL

Incredible versatility, compatibility, and ease of installation. Designed to fit a wide range of products and applications, it eliminates the need for multiple, specific mounts, simplifying the selection process for users. Its adaptable design ensures compatibility across various equipment, devices, or vehicles

STAND ON FENDERS

A stable platform for users to stand or step on when accessing cargo. This helps facilitate easier loading and unloading, in addition to easier access to tower mounter items like rooftop tents or kayaks, etc. This feature is especially useful for customers mounting roof top tents. Reaching the door on a short tower mounted tent is a simple two step process.



TOUGUE EXTENTION

Enhanced utility, safety, and maneuverability. The tongue extension provides more clearance between the towing vehicle and the trailer, reducing the risk of the trailer or its cargo making contact with the rear of the vehicle, especially during tight turns. Provides space for access to tailgates, hatchbacks, and swing aways.

A WILDERNESS WAGON





STANDARD FEATURES



2" RECIEVER

Add spare tire carriers, cargo trays, bike racks, moto carriers, etc. Additionally, this feature can be utilized as a secondary recovery point with the use of a shackle mount, etc. Add a tailgate bbq, or step, with this 300 lb rated 2" reciever

TONGUE TRAY

Complete with integrated tie down holes and a 6" lip. Keep water tanks, buckets, coolers or camp chairs easily accessible. The tongue tray also acts as a rock guard. Completely removable design for increased versatility of the flatbed.



3 WAY STABILIZATION

The tongue stabilizer with lifting strength of up to 1500 lbs provides a solid point of contact to the ground. Use an impact or drill to mechanically lift the tongue.

Two fully removable jacks at the rear provide additional stability.



THE HORIZON HUNTER



TOWER FEATURES



UNIVERSAL RAIL

Universal rail is located on the tops and sides our towers. Add dynamically rated loads to these towers with up to 600 lbs static and 300 lbs dynamic.

ROTOPAX MOUNTS

Add water, gasoline, diesel, or both with the integrated rotopax mounts. Lockable, and secure, 2 towers can carry up to 8 cans of additional fuel or water.



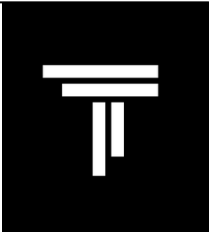
CUSTOM MOUNTS

Attach, interchange, or modify your setup without being confined to a specific brand or type of mount. Through bolts, thumb screws, levered quick release options.

STAY IN

COMFORT





TUB FEATURES



LOCKING TAILGATE

Peace of mind and secure storage are provided with the use of a 2 latch locking tailgate.

DIAMOND SKID LID

Solid, and secure, the aluminum diamond plate skid lid adds security to your storage with antitheft hardware and rugged durable construction.

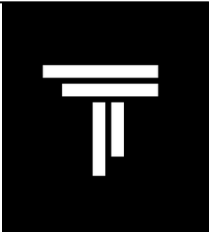


FOLD DOWN TAILGATE

An instant bench, table, and bed extensions. A quick link and cable hold up the removable tailgate to offer up immediate useful flat surface area for all your adventure needs

INFINATELY VERSATILE





ON THE TRAIL



PV | TUB | SHORT TOWER



UTV | SHORT TOWER



PV | TALL TOWER



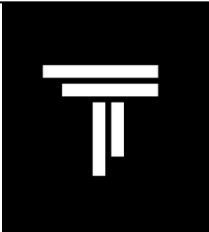
PVS | SHORT TOWER



UTV | TUB



PVS | SHORT TOWER



ON THE TRAIL



PV | TUB | SHORT TOWER



UTV | SHORT TOWER



PV | TALL TOWER



UTV | TUB | TOWER



PV | TALL TOWER



PV | TUB | SHORT TOWER

TRAIL TRAILER

T

